



C.R. LAURENCE CO., INC.
PROFESSIONAL QUALITY

Specifications:

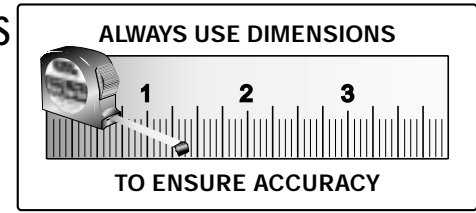
Material: Solid brass

Glass Thickness Range: 5/16" (8mm) to 1/2" (12mm)

Hole Size Required: 5/8" (16mm) or 3/4" (19mm)

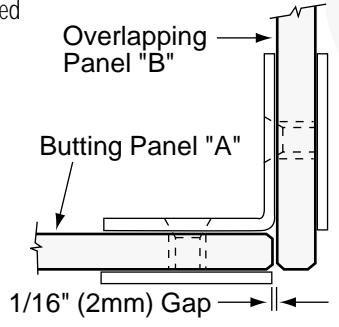
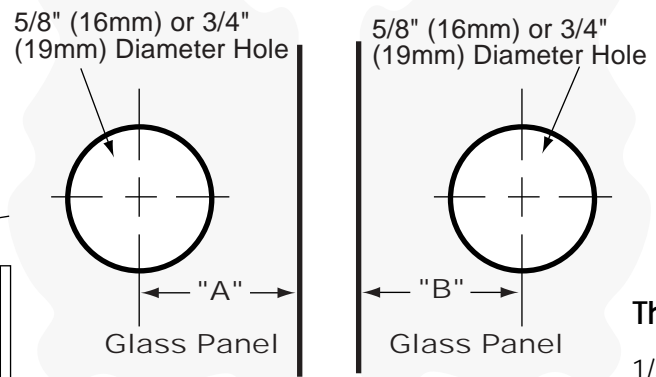
Includes: Mounting screws and gaskets

Note: An additional set of gaskets is required for 5/16" (8mm) glass

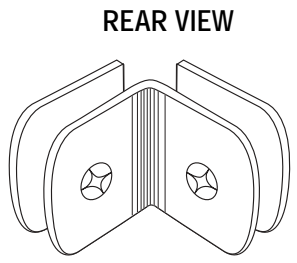
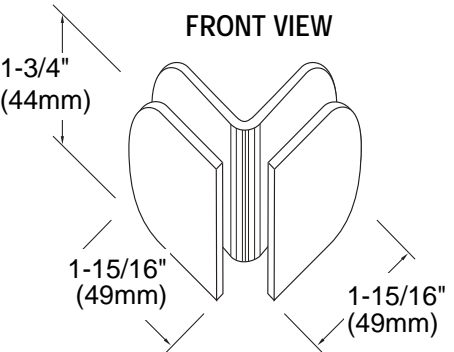


TEMPLATE OPTION FOR SQUARE CUT GLASS

Butting Panel Overlapping Panel

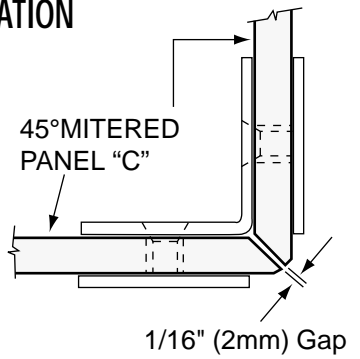


| Glass Thickness | "A" Measurement | "B" Measurement |
|-----------------|-----------------|-----------------|
| 1/4" (6mm) | 1-3/16" (30mm) | 1-1/2" (38mm) |
| 5/16" (8mm) | 1-3/16" (30mm) | 1-9/16" (40mm) |
| 3/8" (10mm) | 1-3/16" (30mm) | 1-5/8" (42mm) |
| 1/2" (12mm) | 1-3/16" (30mm) | 1-3/4" (44mm) |



TYPICAL INSTALLATION

Important: Project measurements from the outside of the mitered glass.

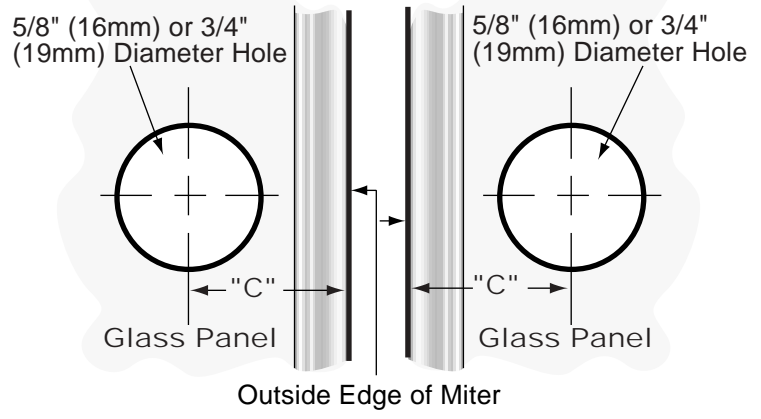


| Glass Thickness | Measurement "C"* |
|-----------------|------------------|
| 1/4" (6mm) | 1-7/16" (37mm) |
| 5/16" (8mm) | 1-1/2" (38mm) |
| 3/8" (10mm) | 1-9/16" (40mm) |
| 1/2" (12mm) | 1-11/16" (42mm) |

*From outside edge of miter

TEMPLATE OPTION FOR 45° MITERED GLASS

45° Mitered Panel 45° Mitered Panel



GLASS CLAMPS

Roman 90° Clamp
(Glass-to-Glass Application)

CAT. No. ROM91