



**C.R. LAURENCE CO., INC.**  
**PROFESSIONAL QUALITY**

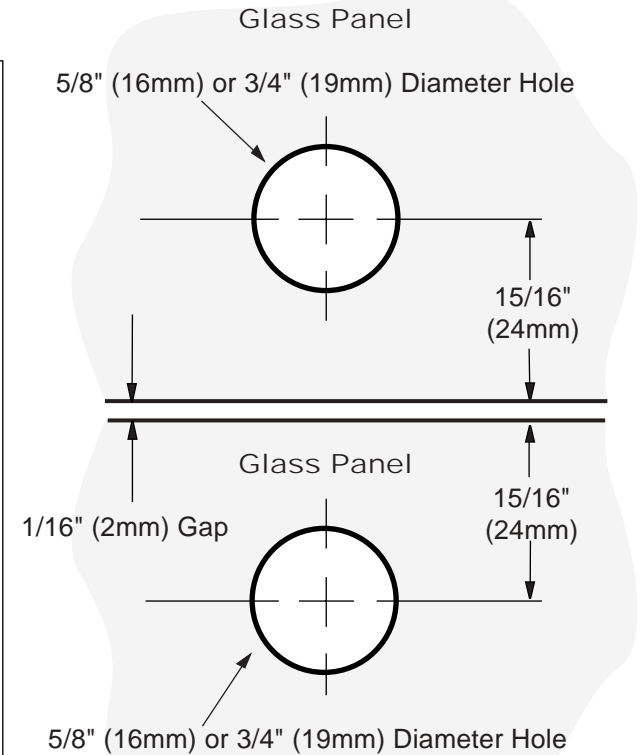
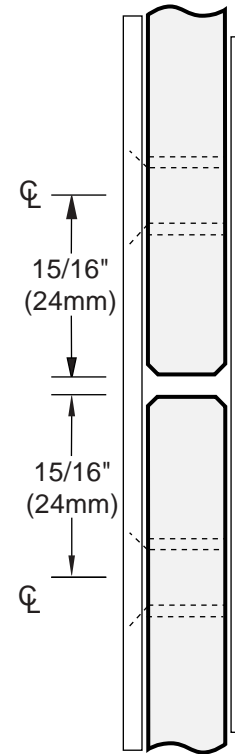
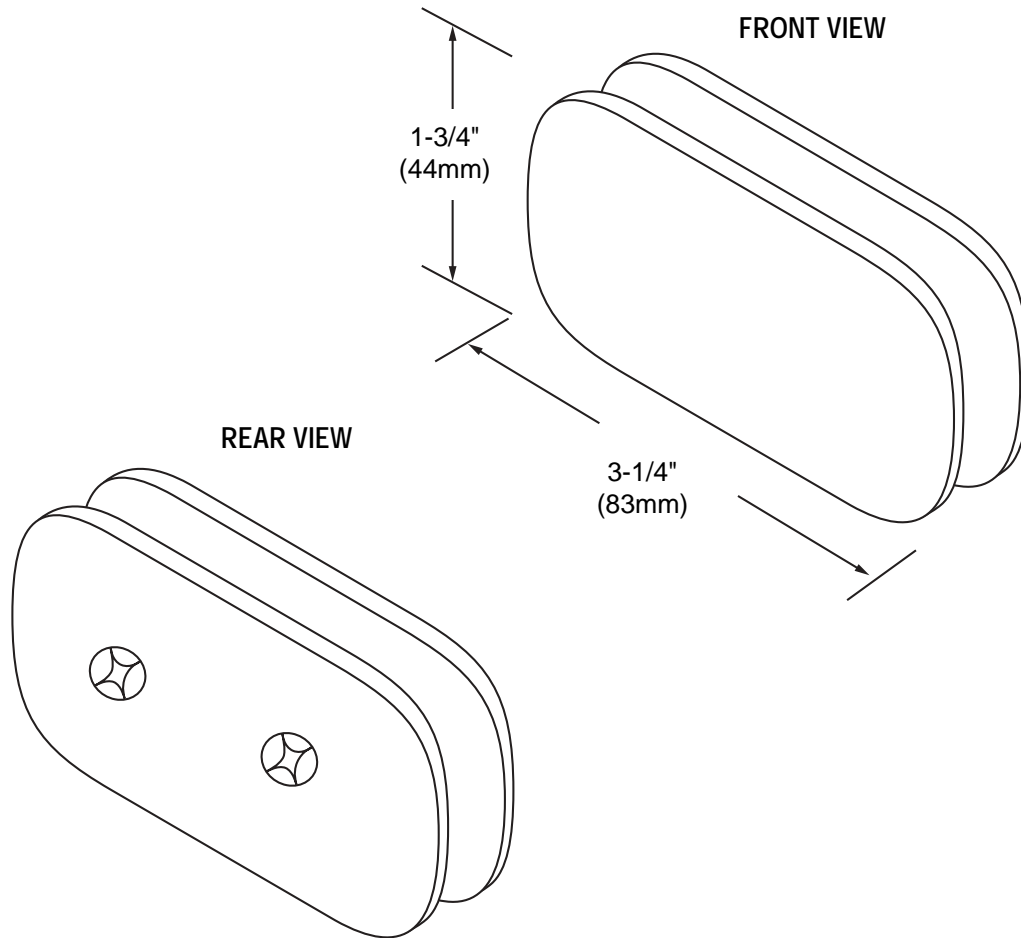
## Specifications:

**Material:** Solid brass

**Glass Thickness Range:** 5/16" (8mm) to 1/2" (12mm)

**Hole Size Required:** 5/8" (16mm) or 3/4" (19mm)

**Includes:** Mounting screws and gaskets



# GLASS CLAMPS

Roman 180° Double Stud

CAT. No. ROM184

