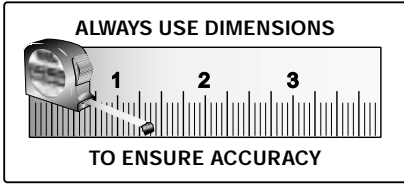




C.R. LAURENCE CO., INC.
PROFESSIONAL QUALITY



Important Information:

Changing the angle alters the location of the holes to be drilled in the glass!
Before fabricating the glass to any other angle than what's shown, consult with C.R. Laurence's Technical Sales Department:
In the United States call (800) 421-6144; from Canada call (877) 421-6144;
Outside the U.S. and Canada call (323) 588-1281. Ask for extension 777.

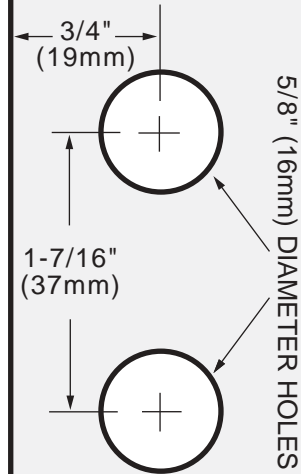
REGAL

Glass-to-Glass Hinge (90° Application)

CAT. No. REG180

IMPORTANT:

Project measurements from the edge of the glass.



**NOTE: DOOR GLASS AND
FIXED PANEL GLASS USE
THE SAME TEMPLATE**