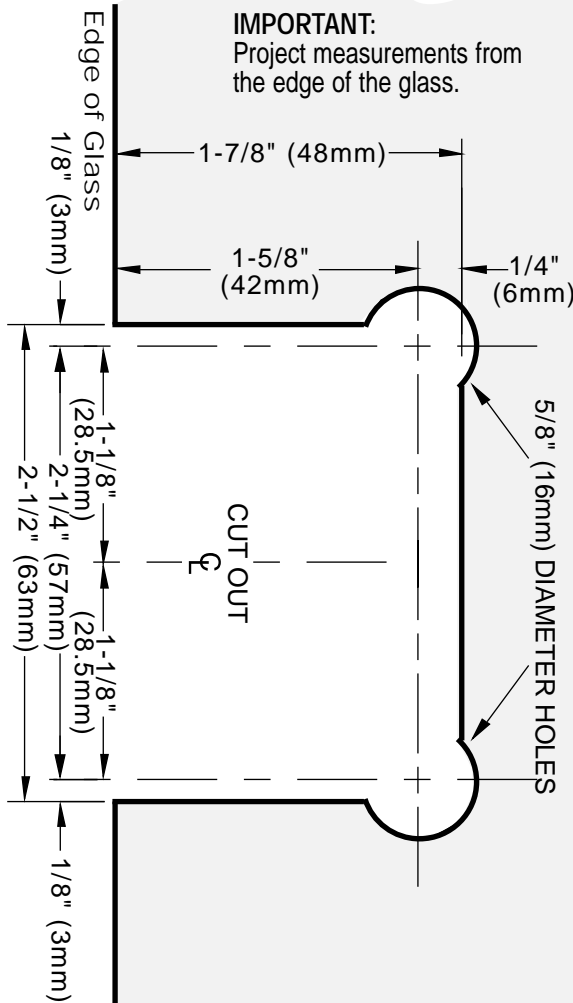
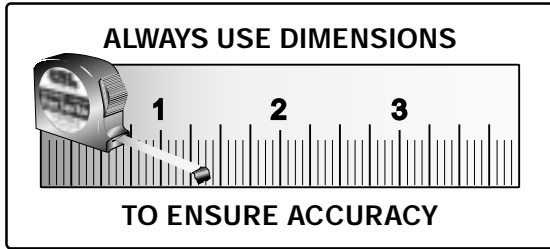
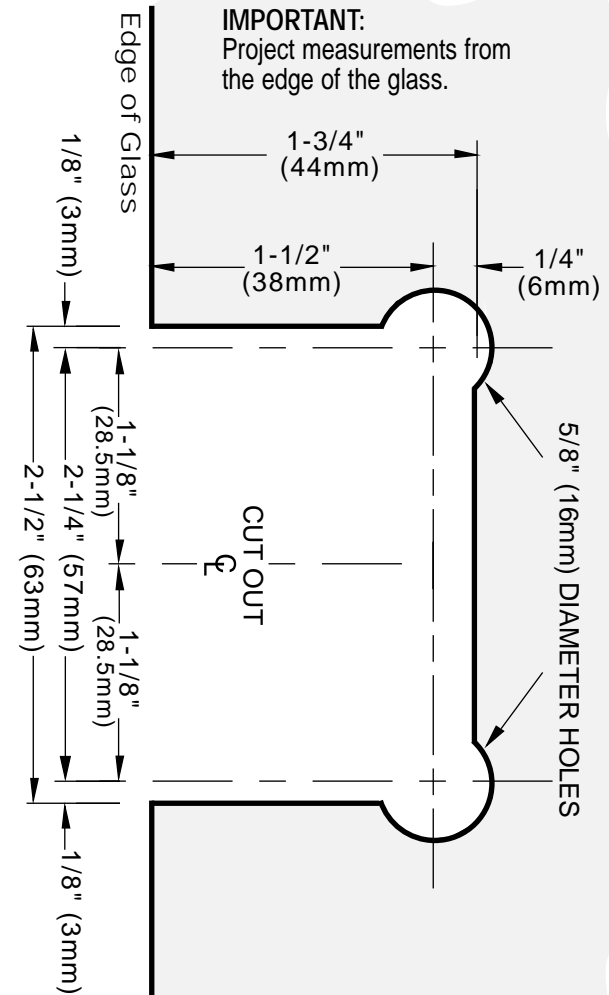




**C.R. LAURENCE CO., INC.**  
PROFESSIONAL QUALITY



**TIGHT CLEARANCE TEMPLATE**  
(1/32" (1mm) to 5/32" (4mm) Clearance)



**REGULAR CLEARANCE TEMPLATE**  
(1/8" (3mm) to 1/4" (6mm) Clearance)

# GENEVA

Wall Mount Hinge – Short Back Plate  
CAT No. GEN074