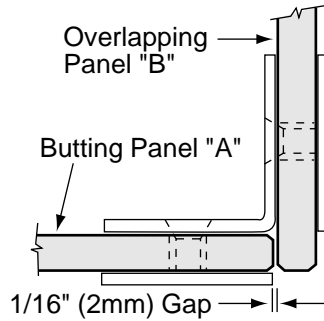


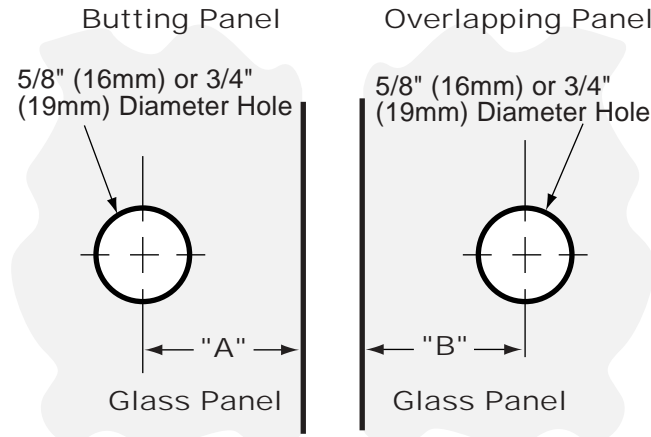


## TYPICAL INSTALLATION

**Important:**  
Project measurements from the edge of the glass.

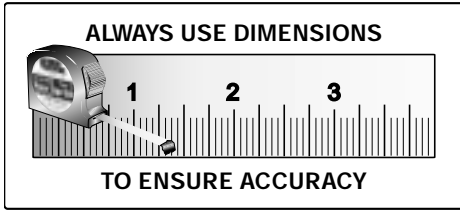


## TEMPLATE OPTION FOR SQUARE CUT GLASS



**Note:** The Clamps shown on this page can also be used in a wall-to-glass application. For information on this see pages 4X-7 and 4X-8.

Glass Thickness	"A" Measurement	"B" Measurement
1/4" (6mm)	15/16" (24mm)	1-1/4" (32mm)
5/16" (8mm)	15/16" (24mm)	1-5/16" (34mm)
3/8" (10mm)	15/16" (24mm)	1-3/8" (35mm)
1/2" (12mm)	15/16" (24mm)	1-1/2" (38mm)



## GLASS CLAMPS

THE ABOVE TEMPLATE OPTIONS APPLY TO THE FOLLOWING CLAMPS:

90° Glass Clamp  
(Glass-to-Glass Application)

CAT. No. GCB90

Junior 90° Glass Clamp  
(Glass-to-Glass Application)

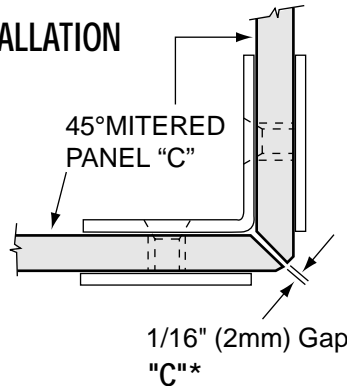
CAT. No. GCB690

Monaco Glass Clamp  
(Glass-to-Glass Application)

CAT. No. M0690

## TYPICAL INSTALLATION

**Important:**  
Project measurements from the outside of the mitered glass.



Glass Thickness	Measurement "C"*
1/4" (6mm)	1-3/16" (30mm)
5/16" (8mm)	1-1/4" (32mm)
3/8" (10mm)	1-5/16" (34mm)
1/2" (12mm)	1-7/16" (37mm)

\*From outside edge of miter

## TEMPLATE OPTION FOR 45° MITERED GLASS

