

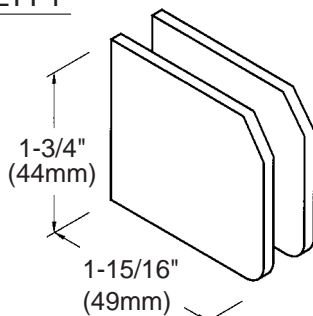


**C.R. LAURENCE CO., INC.**  
 PROFESSIONAL QUALITY

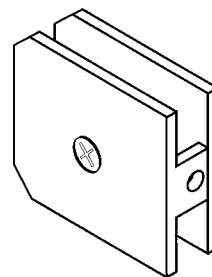
## GLASS CLAMPS

Oversized Fixed Panel U-Clamp

CAT. No. UC79



FRONT VIEW



REAR VIEW

### Specifications:

**Material:** Solid brass

**Glass Thickness Range:** 5/16" (8mm) to 1/2" (12mm)

**Hole Size Required:** 5/8" (16mm) or 3/4" (19mm)

**Includes:** Mounting screws and gaskets

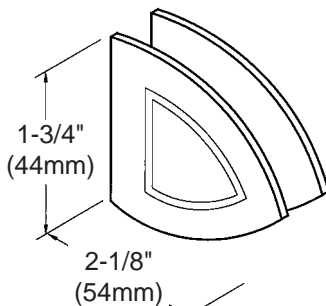
**Note:** An additional set of gaskets is required for 5/16" (8mm) glass

Template Shown on Next Page

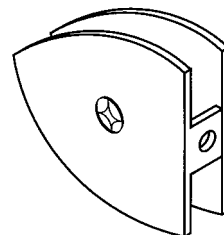
## GLASS CLAMPS

Cathedral Style Fixed Panel Clamp

CAT. No. GCB279



FRONT VIEW



REAR VIEW

### Specifications:

**Material:** Solid brass

**Glass Thickness Range:** 5/16" (8mm) to 1/2" (12mm)

**Hole Size Required:** 5/8" (16mm) or 3/4" (19mm)

**Includes:** Mounting screws and gaskets

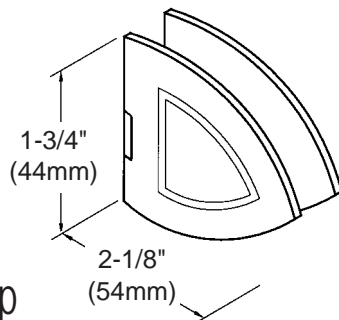
**Note:** An additional set of gaskets is required for 5/16" (8mm) glass

Template Shown on Next Page

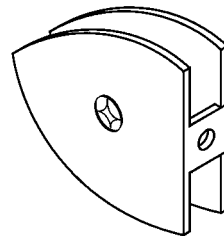
## GLASS CLAMPS

Junior Cathedral Fixed Panel Clamp

CAT. No. GCB6279



FRONT VIEW



REAR VIEW

### Specifications:

**Material:** Solid brass

**Glass Thickness:** 1/4" (6mm)

**Hole Size Required:** 5/8" (16mm) or 3/4" (19mm)

**Includes:** Mounting screws and gaskets

Template Shown on Next Page