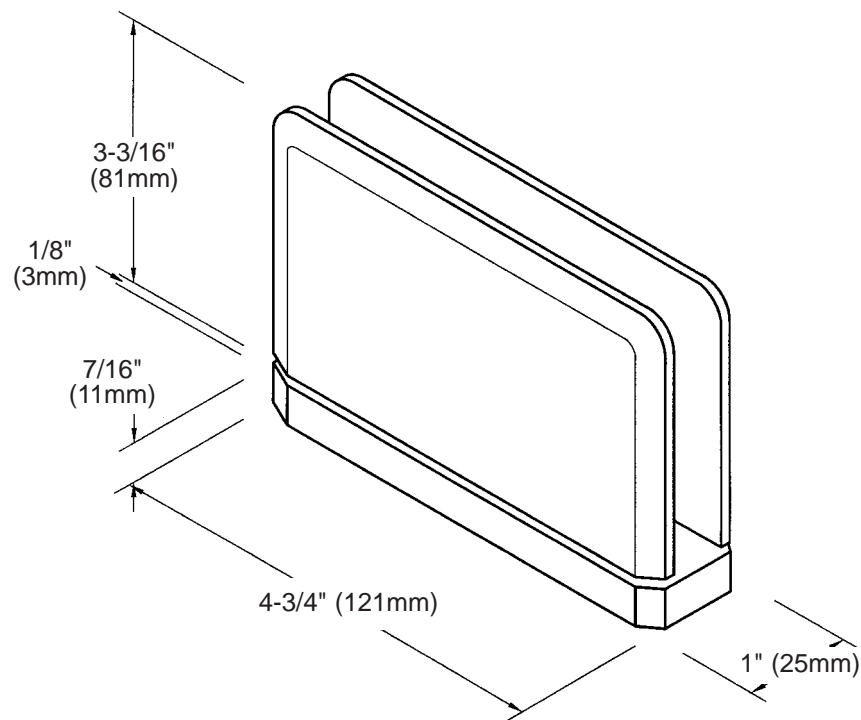




C.R. LAURENCE CO., INC.
PROFESSIONAL QUALITY



SENIOR PRIMA

Top or Bottom Mount Hinge

CAT No. SRPPH01

Edge Mount Method (9/16" (14mm) Clearance)Page 4H-2
 Inset Mount Method (9/16" (14mm) Clearance)Page 4H-3

*Maximum Door Capacities	1/2" (12mm) Glass	
	Weight	Width
Using 2 Hinges	145 lbs.(66 kg)	36"(914mm)

*NOTE: Do not exceed either maximum weight or width when choosing proper quantity of hinges.

Important Information:

Template Options: The Top or Bottom Mount SRPPH01 Hinge offers two choices of templates. Refer to the lower left hand corner of this page for the selections. The Edge Mount Template has a full leg cutout that allows a full length vertical seal on the hinge side. The Inset Mount Template enables the door to avoid hitting a towel bar, or some other protrusion from the wall.

Optional Pivot Pins: Optional 5" Pivot Pins (Cat. No. SRP1VP1N) are sold as a set, one pin for the top hinge and one pin for the bottom hinge. These 5" offset Pivot Pins allow the installer to adjust the closing position of the door 5" inwards or outwards.

Specifications:

Glass Sizes: 1/2"(12mm) thick tempered safety glass
Construction: Solid brass
Closing Type: Self-centering when within 15° of closed position
Cutout Required
Includes: Gaskets, screws and template

Use of Gaskets:

For 1/2" Glass: Use one thin gasket on one side and one thick gasket on the other side
For 12mm Glass: Use one thick gasket on both sides

Recommendations:

For public safety, we recommend the use of only tempered safety glass. Do not use power tools when installing these hinges.

Maintenance Guidelines:

- Never use an abrasive cleaner on the hardware. Many of the components are coated with a clear lacquer that will be irreparably damaged if subjected to harsh, abrasive chemicals. Advise your customer that drying the hardware with a clean, soft towel on a daily basis is the best way to maintain the hardware. If mineral deposits build-up, mix a couple of drops of a mild liquid soap (such as Ivory or a similar product) into a cup of warm water. Using a soft, non-abrasive cloth, clean the hardware. Rinse thoroughly with clean, warm water and dry.