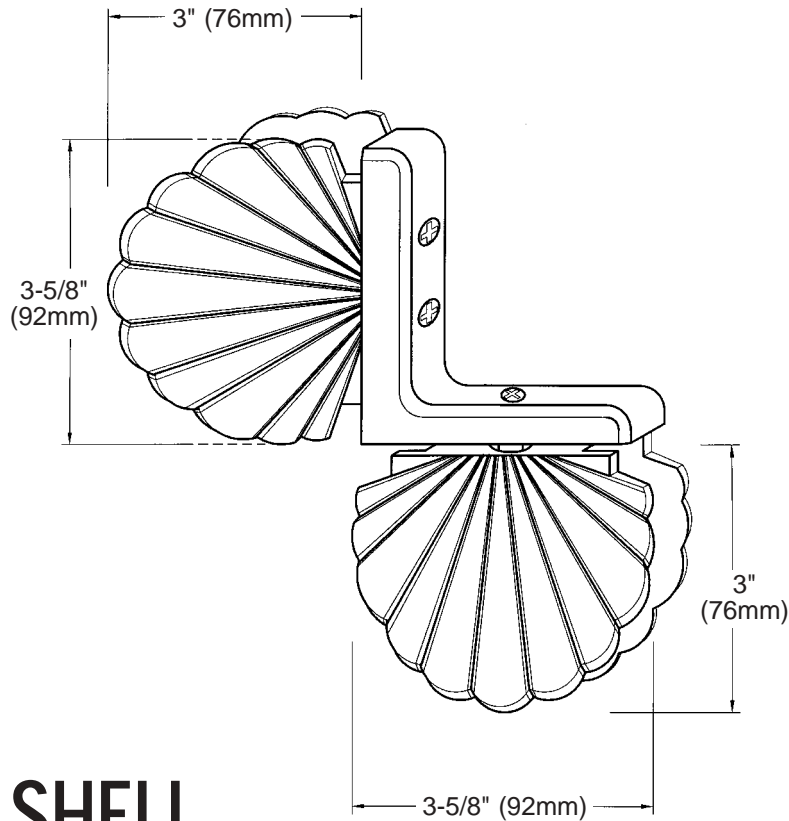




**C.R. LAURENCE CO., INC.**  
**PROFESSIONAL QUALITY**



# SHELL

## Inline Panel Hinge

### CAT No. SHE004

Edge Mount Preferred Method (Even with Top of Door) .....Page 4J-14  
 Edge Mount Alternate Method (Even with Top of Door) .....Page 4J-15

*Maximum Door Capacities	5/16" (8mm) Glass		3/8" (10mm) Glass	
	Weight	Width	Weight	Width
Using 2 Hinges	100 lbs.(46 kg)	31"(787mm)	100 lbs.(46 kg)	31"(787mm)

\*NOTE: Do not exceed either maximum weight or width when choosing proper quantity of hinges.

## Important Information:

**Template Options:** The Shell Inline Panel SHE004 Hinge offers two template options, depending upon the capabilities of the temperer (see lower left of this page). The Preferred Method allows a full vertical seal along the hinge side, the Alternate Method leaves a short leg of glass, thus not allowing a full length vertical seal.

**Optional Pivot Pins:** Optional 5 degree Pivot Pins (cat. no. P1VP1N) may be purchased separately. The P1VP1N is sold as a set, one pin for the top hinge and one pin for the bottom hinge. These 5° offset Pivot Pins allow the installer to adjust the closing position of the door 5° inwards or outwards.

## Specifications:

**Glass Sizes:** 5/16" (8mm) to 3/8" (10mm) thick tempered safety glass

**Construction:** Solid brass

**Closing Type:** Self-centering when within 15° of closed position

**Cutout Required Includes:** Gaskets, screws and template

## Use of Gaskets:

**For 5/16"(8mm) Glass:** Use one thick gasket and one thin gasket on each side

**For 3/8"(10mm) Glass:** Use one thick gasket on each side

## Recommendations:

For public safety, we recommend the use of only tempered safety glass.  
 Do not use power tools when installing these hinges.

## Maintenance Guidelines:

- Never use an abrasive cleaner on the hardware. Many of the components are coated with a clear lacquer that will be irreparably damaged if subjected to harsh, abrasive chemicals. Advise your customer that drying the hardware with a clean, soft towel on a daily basis is the best way to maintain the hardware. If mineral deposits build-up, mix a couple of drops of a mild liquid soap (such as Ivory or a similar product) into a cup of warm water. Using a soft, non-abrasive cloth, clean the hardware. Rinse thoroughly with clean, warm water and dry.