

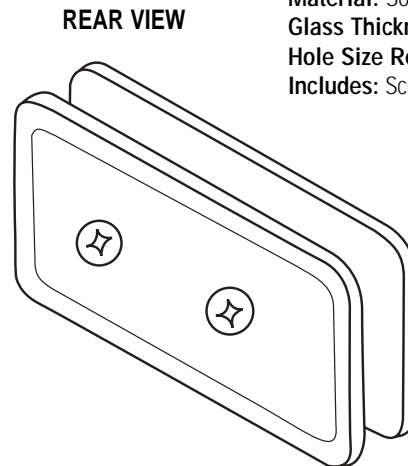
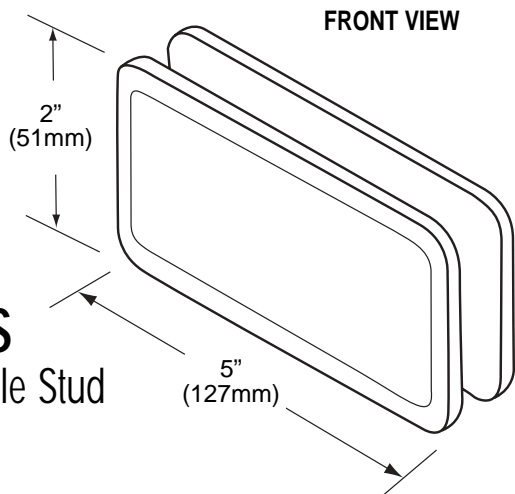


C.R. LAURENCE CO., INC.
PROFESSIONAL QUALITY

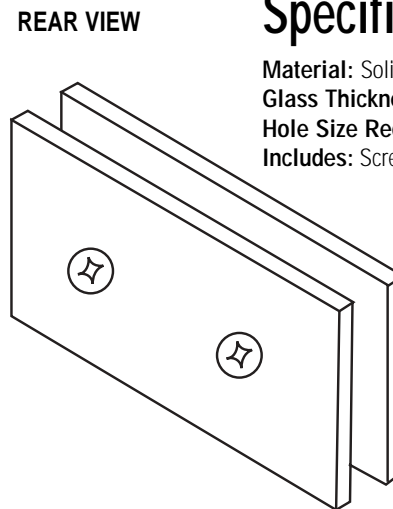
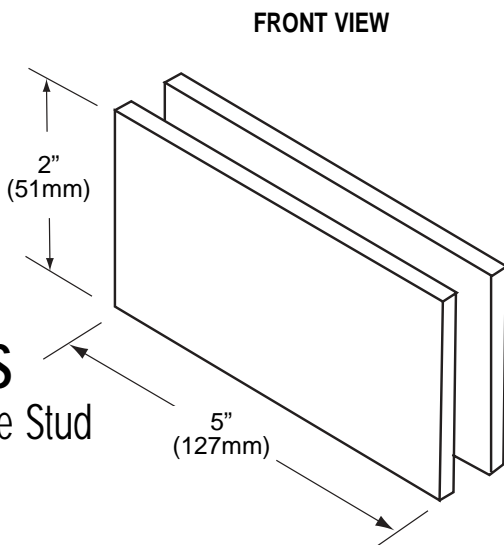
Specifications:

Material: Solid brass
Glass Thickness Range: 3/8"(10mm) to 1/2"(12mm)
Hole Size Required: 3/4" (19mm)
Includes: Screws and gaskets

**HEAVY DUTY
 GLASS CLAMPS**
 Beveled 180° Double Stud
 CAT. No.BGC180



**HEAVY DUTY
 GLASS CLAMPS**
 Square 180° Double Stud
 CAT. No.SGC180



Specifications:

Material: Solid brass
Glass Thickness Range: 3/8"(10mm) to 1/2"(12mm)
Hole Size Required: 3/4" (19mm)
Includes: Screws and gaskets

Template Shown on Next Page 4Y-3