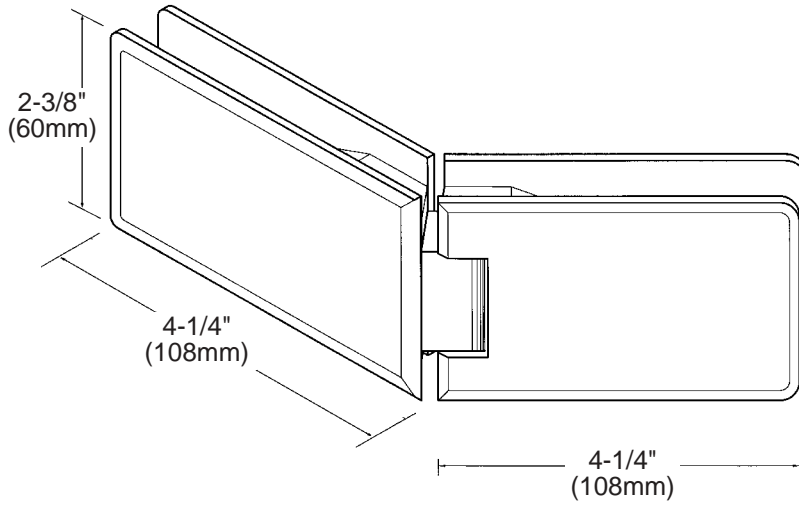




C.R. LAURENCE CO., INC.
PROFESSIONAL QUALITY



GRANDE

135° Glass-to-Glass Hinge

CAT No. GRA135

(This hinge requires two different templates, one for the door and one for the mitered fixed panel).

Top and Bottom Corner Mount Option Page 4M-14
 Center Mount Option Page 4M-15

*Maximum Door Capacities	5/16" (8mm) Glass		3/8" (10mm) Glass	
	Weight	Width	Weight	Width
Using 2 Hinges	90 lbs.(41 kg)	31"(878mm)	90 lbs.(41 kg)	31"(878mm)
Using 3 Hinges	134 lbs.(61 kg)	34"(864mm)	134 lbs.(61 kg)	34"(864mm)

*NOTE: Do not exceed either maximum weight or width when choosing proper quantity of hinges.

Important Information:

The fixed panel measurements must be taken from inside of the miter.

Specifications:

Glass Sizes: 5/16"(8mm) to 3/8"(10mm) thick tempered safety glass

Construction: Solid brass

Closing Type: Self-centering when within 15° of closed position

Cutout and Hole Required

Includes: Gaskets, screws and template

Use of Gaskets:

For 5/16"(8mm) Glass: Use one thick gasket on each side

For 3/8"(10mm) Glass: Use one thin gasket on one side and one thick gasket on the other side

Recommendations:

For public safety, we recommend the use of only tempered safety glass.

Do not use power tools when installing these hinges.

Maintenance Guidelines:

- Never use an abrasive cleaner on the hardware. Many of the components are coated with a clear lacquer that will be irreparably damaged if subjected to harsh, abrasive chemicals. Advise your customer that drying the hardware with a clean, soft towel on a daily basis is the best way to maintain the hardware. If mineral deposits build-up, mix a couple of drops of a mild liquid soap (such as Ivory or a similar product) into a cup of warm water. Using a soft, non-abrasive cloth, clean the hardware. Rinse thoroughly with clean, warm water and dry.