

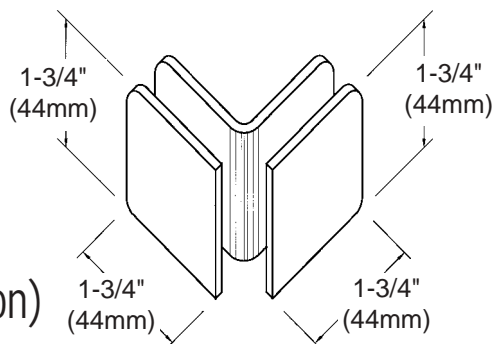


C.R. LAURENCE CO., INC.
PROFESSIONAL QUALITY

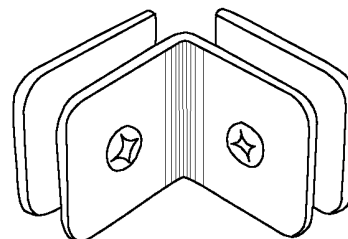
GLASS CLAMPS

90° Glass Clamp
(Glass-to-Glass Application)

CAT. No. GCB90



FRONT VIEW



REAR VIEW

Note: The Clamps shown on this page can also be used in a wall-to-glass application. For information on this see pages 4X-7 and 4X-8.

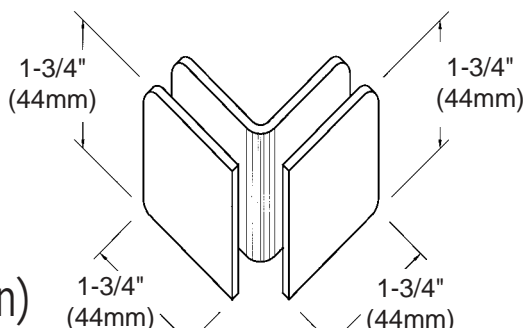
Specifications:

Material: Solid brass
Glass Thickness Range: 5/16" (8mm) to 1/2" (12mm)
Hole Size Required: 5/8" (16mm) or 3/4" (19mm)
Includes: Mounting screws and gaskets
Note: An additional set of gaskets is required for 5/16" (8mm) glass

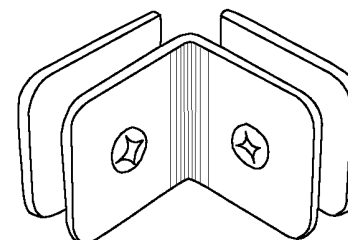
GLASS CLAMPS

Junior 90° Glass Clamp
(Glass-to-Glass Application)

CAT. No. GCB690



FRONT VIEW



REAR VIEW

Specifications:

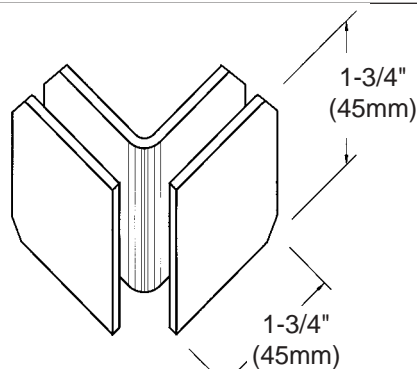
Material: Solid brass
Glass Thickness : 1/4" (6mm)
Hole Size Required: 5/8" (16mm) or 3/4" (19mm)
Includes: Mounting screws and gaskets

Template Shown on Next Page

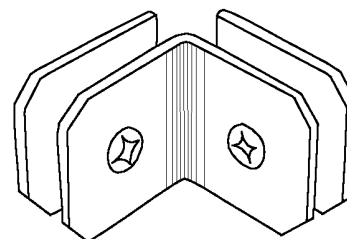
GLASS CLAMPS

Monaco Glass Clamp

CAT. No. M0690



FRONT VIEW



REAR VIEW

Specifications:

Material: Solid brass
Glass Thickness : 1/4" (6mm) TO 5/16" (8mm)
Hole Size Required: 5/8" (16mm) or 3/4" (19mm)
Includes: Mounting screws and gaskets

Template Shown on Next Page