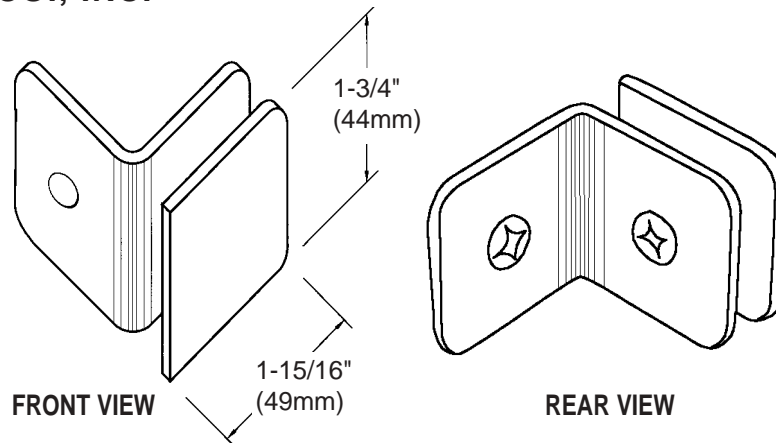




**C.R. LAURENCE CO., INC.**  
PROFESSIONAL

## GLASS CLAMPS

Oversized 90° Glass Clamp  
(Wall-to-Glass Application)  
CAT. No. GCB91



**Note:** The Clamps shown on this page can also be used in a glass-to-glass application. For information on this see pages 4X-9 and 4X-10.

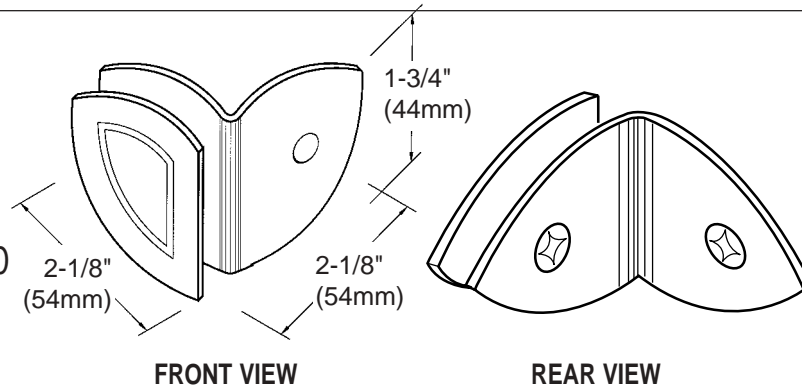
### Specifications:

**Material:** Solid brass  
**Glass Thickness Range:** 5/16" (8mm) to 1/2" (12mm)  
**Hole Size Required:** 5/8" (16mm) or 3/4" (19mm)  
**Includes:** Mounting screws and gaskets  
**Note:** An additional set of gaskets is required for 5/16" (8mm) glass

**Template Shown on Next Page**

## GLASS CLAMPS

Cathedral Style 90° Glass Clamp  
(Wall-to-Glass Application)  
CAT. No. GCB290



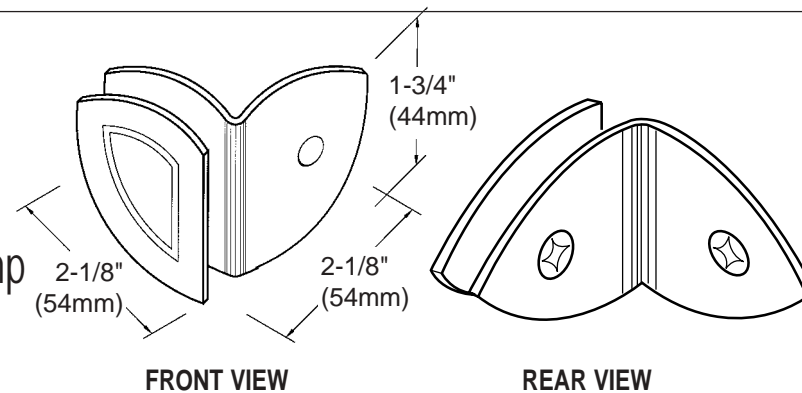
### Specifications:

**Material:** Solid brass  
**Glass Thickness Range:** 5/16" (8mm) to 1/2" (12mm)  
**Hole Size Required:** 5/8" (16mm) or 3/4" (19mm)  
**Includes:** Mounting screws and gaskets  
**Note:** An additional set of gaskets is required for 5/16" (8mm) glass

**Template Shown on Next Page**

## GLASS CLAMPS

Junior Cathedral 90° Glass Clamp  
(Wall-to-Glass Application)  
CAT. No. GCB6290



### Specifications:

**Material:** Solid brass  
**Glass Thickness:** 1/4" (6mm)  
**Hole Size Required:** 5/8" (16mm) or 3/4" (19mm)  
**Includes:** Mounting screws and gaskets

**Template Shown on Next Page**