

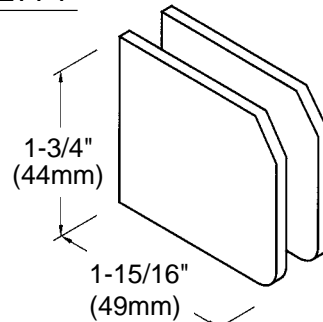


C.R. LAURENCE CO., INC.
PROFESSIONAL QUALITY

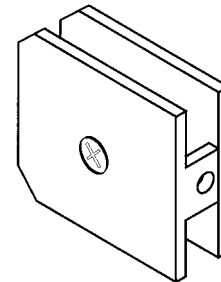
GLASS CLAMPS

Oversized Fixed Panel U-Clamp

CAT. No. UC79



FRONT VIEW



REAR VIEW

Specifications:

Material: Solid brass

Glass Thickness Range: 5/16" (8mm) to 1/2" (12mm)

Hole Size Required: 5/8" (16mm) or 3/4" (19mm)

Includes: Mounting screws and gaskets

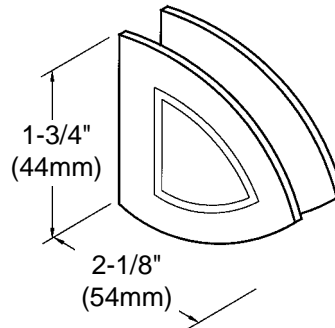
Note: An additional set of gaskets is required for 5/16" (8mm) glass

Template Shown on Next Page

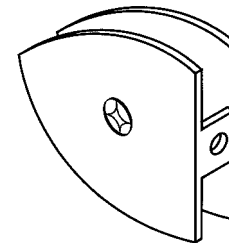
GLASS CLAMPS

Cathedral Style Fixed Panel Clamp

CAT. No. GCB279



FRONT VIEW



REAR VIEW

Specifications:

Material: Solid brass

Glass Thickness Range: 5/16" (8mm) to 1/2" (12mm)

Hole Size Required: 5/8" (16mm) or 3/4" (19mm)

Includes: Mounting screws and gaskets

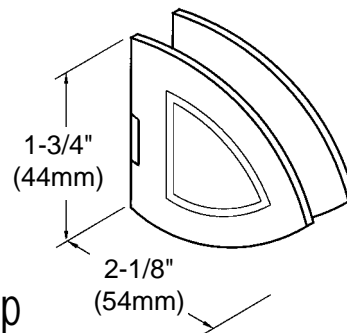
Note: An additional set of gaskets is required for 5/16" (8mm) glass

Template Shown on Next Page

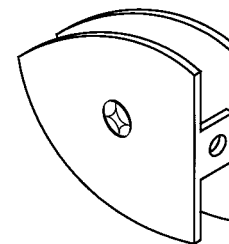
GLASS CLAMPS

Junior Cathedral Fixed Panel Clamp

CAT. No. GCB6279



FRONT VIEW



REAR VIEW

Specifications:

Material: Solid brass

Glass Thickness: 1/4" (6mm)

Hole Size Required: 5/8" (16mm) or 3/4" (19mm)

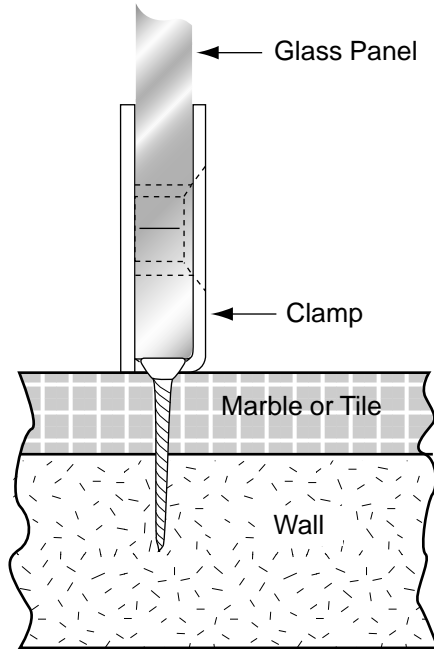
Includes: Mounting screws and gaskets

Template Shown on Next Page



C.R. LAURENCE CO., INC.
PROFESSIONAL QUALITY

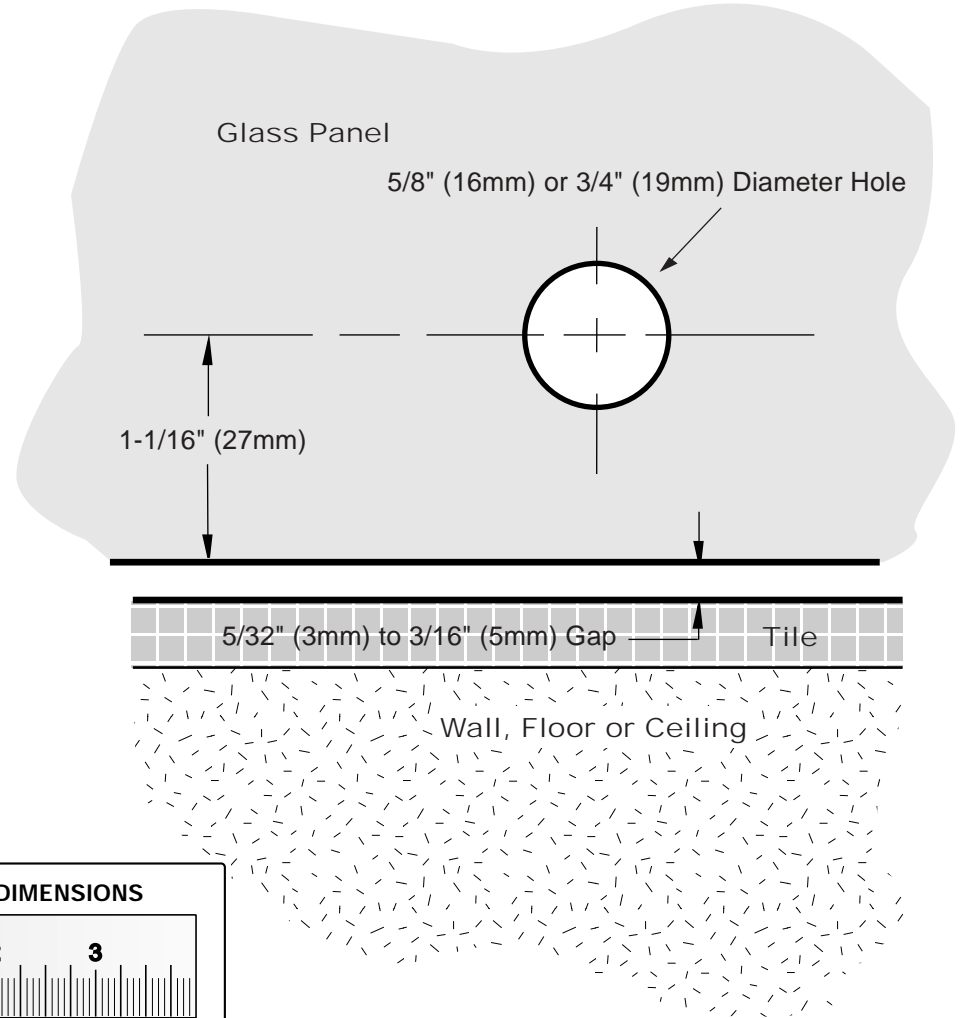
TYPICAL INSTALLATION



END VIEW

TEMPLATE

Important: Project measurements from the edge of the glass.



THE TEMPLATE ON THIS PAGE APPLIES TO CLAMPS BELOW:

Oversized Fixed Panel U-Clamp

CAT.No.UC79

Cathedral Style Fixed Panel Clamp

CAT.No.GCB279

Junior Cathedral Style Fixed Panel Clamp

CAT.No.GCB6279

