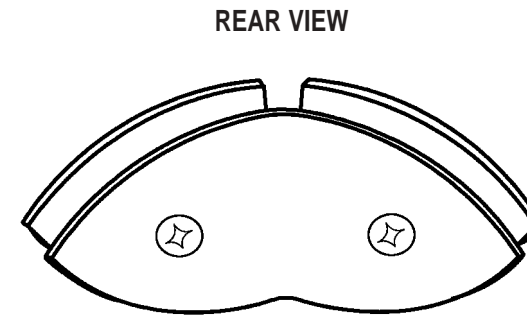
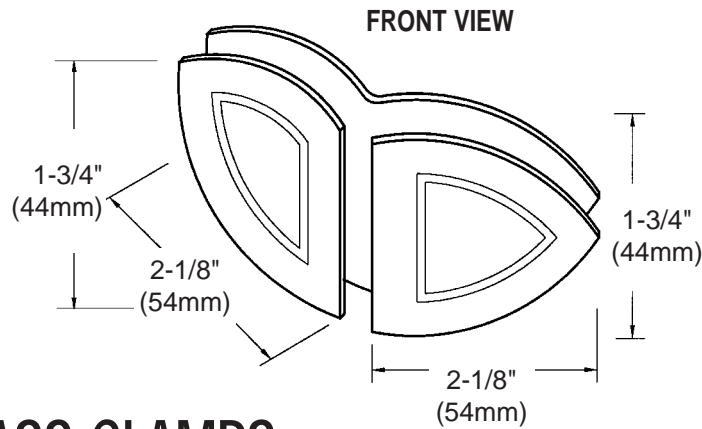




**C.R. LAURENCE CO., INC.**  
PROFESSIONAL QUALITY

## Specifications:

**Material:** Solid brass  
**Glass Thickness Range:** 5/16" (8mm) to 1/2" (12mm)  
**Hole Size Required:** 5/8" (16mm) or 3/4" (19mm)  
**Includes:** Mounting screws and gaskets

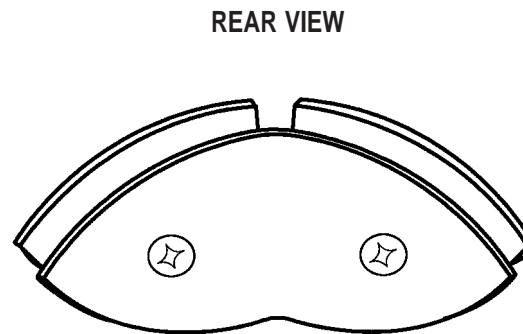
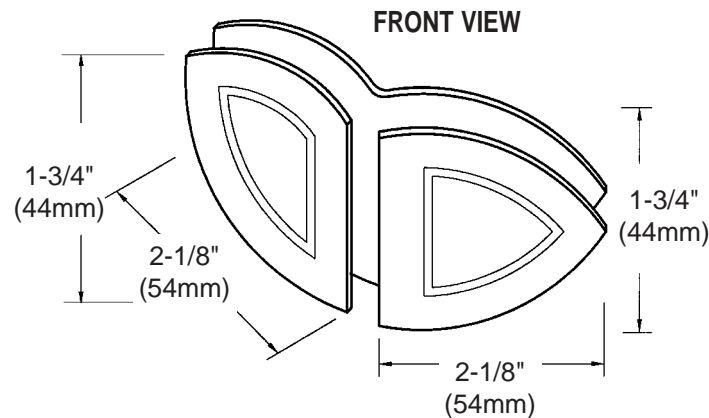


## GLASS CLAMPS

135° Cathedral Style

CAT. No. GCB235

Template Shown on Next Page



## GLASS CLAMPS

135° Junior Cathedral Style

CAT. No. GCB6235

## Specifications:

**Material:** Solid brass  
**Glass Thickness:** 1/4" (6mm)  
**Hole Size Required:** 5/8" (16mm) or 3/4" (19mm)  
**Includes:** Mounting screws and gaskets

Template Shown on Next Page

4X-15