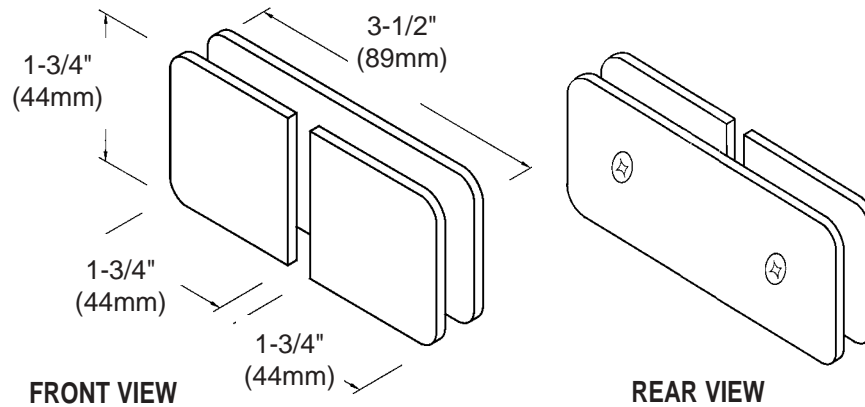




**C.R. LAURENCE CO., INC.**  
PROFESSIONAL QUALITY

**GLASS CLAMPS**  
180° Split Face  
(Glass-to-Glass Application)  
CAT. No. GCB182

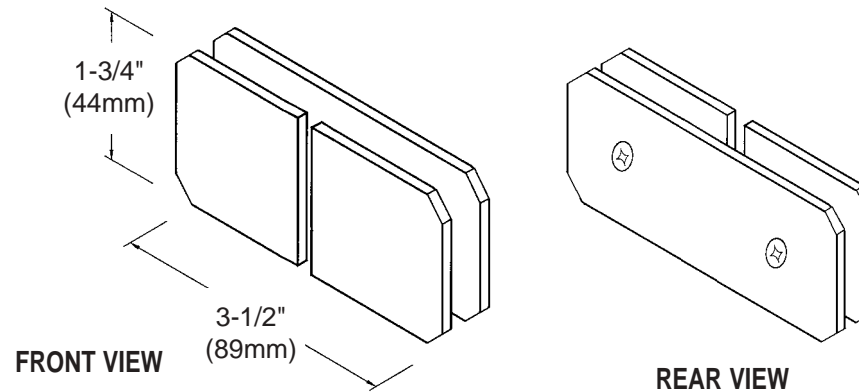


**Note:** The GCB182 and M0682 Clamp shown on this page can also be used in a wall-to-glass "Y" inline application. For information on this see pages 4X-23 and 4X-24.

**Specifications:**

**Material:** Solid brass  
**Glass Thickness Range:** 5/16" (8mm) to 1/2" (12mm)  
**Hole Size Required:** 5/8" (16mm) or 3/4" (19mm)  
**Includes:** Mounting screws and gaskets

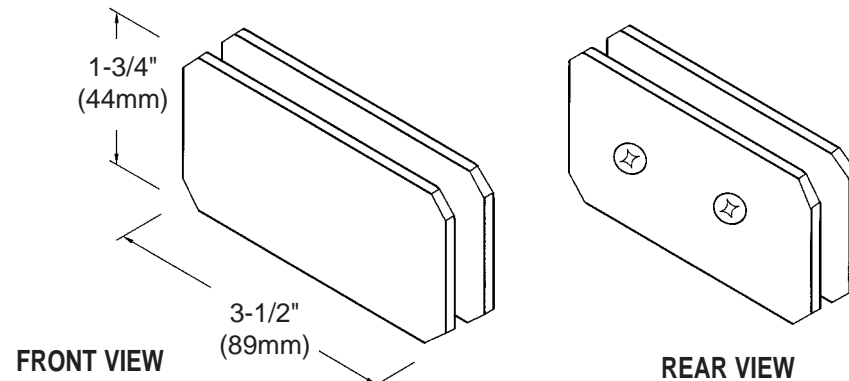
**GLASS CLAMPS**  
180° Monaco Split Face  
(Glass-to-Glass Application)  
CAT. No. M0682



**Specifications:**

**Material:** Solid brass  
**Glass Thickness Range:** 1/4" (6mm) to 5/16" (8mm)  
**Hole Size Required:** 5/8" (16mm) or 3/4" (19mm)  
**Includes:** Mounting screws and gaskets

**GLASS CLAMPS**  
180° Monaco Double Stud  
CAT. No. M0684



**Specifications:**

**Material:** Solid brass  
**Glass Thickness Range:** 1/4" (6mm) to 5/16" (8mm)  
**Hole Size Required:** 5/8" (16mm) or 3/4" (19mm)  
**Includes:** Mounting screws and gaskets

**Template Shown on Next Page**