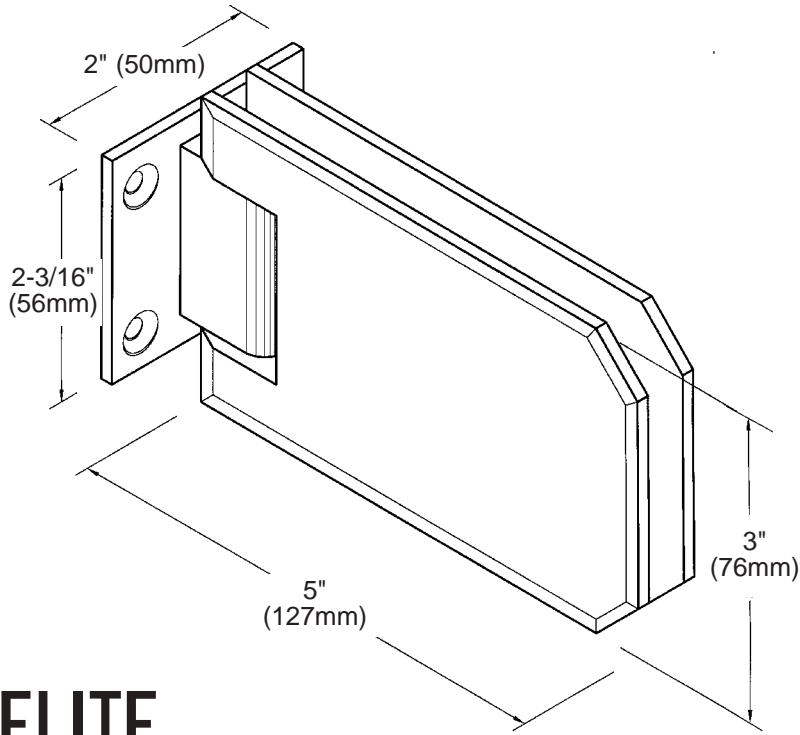




C.R. LAURENCE CO., INC.
PROFESSIONAL QUALITY



ELITE

Self-Centering Wall Mount Hinge

CAT No. ELT074

Top and Bottom Corner Mount Option (1/32" (1mm) to 3/16" (5mm) Clearance)... Page 4N-2
 Top and Bottom Corner Mount Option (5/32" (4mm) to 11/32" (8.5mm) Clearance). Page 4N-3
 Center Mount Option (1/32" (1mm) to 3/16" (5mm) Clearance) Page 4N-4
 Center Mount Option (5/32" (4mm) to 11/32" (8.5mm) Clearance) Page 4N-5

*Maximum Door Capacities	3/8" (10mm) Glass		1/2" (12mm) Glass	
	Weight	Width	Weight	Width
Using 2 Hinges	95 lbs.(43 kg)	34"(864mm)	95 lbs.(43 kg)	34"(864mm)
Using 3 Hinges	140 lbs.(64 kg)	38"(965mm)	140 lbs.(64 kg)	38"(965mm)

*NOTE: Do not exceed either maximum weight or width when choosing proper quantity of hinges.

Important Information:

This hinge contains a dual degree pivot pin. The pivot pin is set for normal door closing position. You have the option of altering the closing position of the door 5 degrees inward by utilizing the opposite side of the pivot pin, which has been pre-machined (see Section 3 of Cat. No. SDT20 Frameless Shower Door Guide for this procedure). Special order custom pivot pins are available (Cat.No. GENP1N) that can be machined at any angle up to 45 degrees.

Specifications:

- Glass Sizes:** 3/8" (10mm) to 1/2" (12mm) thick tempered safety glass
- Construction:** Solid brass
- Closing Type:** Self-centering when within 15° of closed position
- Cutout and Hole Required**
- Includes:** Gaskets, screws and template

Use of Gaskets:

- For 3/8"(10mm) Glass:** Use one thick gasket on each side
- For 1/2"(12mm) Glass:** Use one thin gasket on each side

Recommendations:

For public safety, we recommend the use of only tempered safety glass.
 Do not use power tools when installing these hinges.

Maintenance Guidelines:

- Our hinges are greased at the factory for quiet and trouble-free operation. If there is any squeaking that occurs after installation, put a drop of "3 in 1 Oil" (also known as "household oil") on the white nylon washer that the hinge body pivots on. This washer is the component that acts as a buffer, so the body of the hinge doesn't pivot directly on the brass center block. This solution doesn't require the disassembly of the hinge.
Note: Do not use spray lubricant on these hinges. If the hinge has been disassembled, upon re-assembly, use white lithium grease to lubricate the interior mechanism.
- Never use an abrasive cleaner on the hardware. Many of the components are coated with a clear lacquer that will be irreparably damaged if subjected to harsh, abrasive chemicals. Advise your customer that drying the hardware with a clean, soft towel on a daily basis is the best way to maintain the hardware. If mineral deposits build-up, mix a couple of drops of a mild liquid soap (such as Ivory or a similar product) into a cup of warm water. Using a soft, non-abrasive cloth, clean the hardware. Rinse thoroughly with clean, warm water and dry.