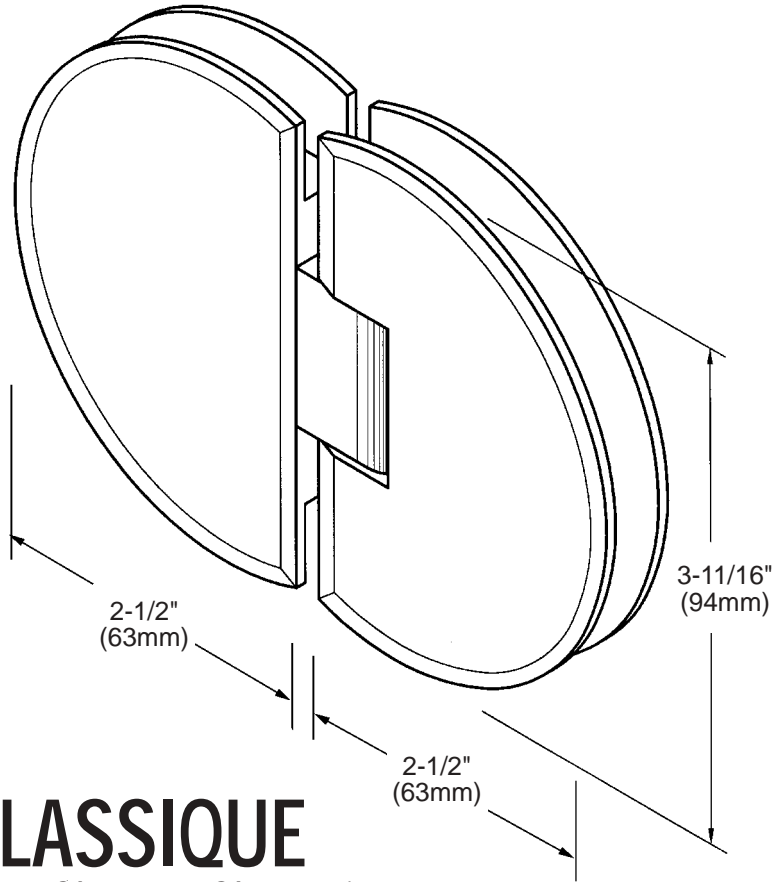




**C.R. LAURENCE CO., INC.**  
PROFESSIONAL QUALITY



**CLASSIQUE**  
 180° Glass-to-Glass Hinge  
 CAT No. CLA180

| *Maximum Door Capacities | 5/16" (8mm) Glass |            | 3/8" (10mm) Glass |            |
|--------------------------|-------------------|------------|-------------------|------------|
|                          | Weight            | Width      | Weight            | Width      |
| Using 2 Hinges           | 80 lbs.(36 kg)    | 31"(787mm) | 80 lbs.(36 kg)    | 31"(787mm) |
| Using 3 Hinges           | 120 lbs.(55 kg)   | 34"(864mm) | 120 lbs.(55 kg)   | 34"(864mm) |

\*NOTE: Do not exceed either maximum weight or width when choosing proper quantity of hinges.

**Important Information:**

The door and fixed panel use the same cutout.

**Specifications:**

**Glass Sizes:** 5/16" (8mm) to 3/8" (10mm) thick tempered safety glass

**Construction:** Solid brass

**Closing Type:** Self-centering when within 15° of closed position

**Cutout Required**

**Includes:** Gaskets, screws and template

**Use of Gaskets:**

**For 5/16"(8mm) Glass:** Use one thick gasket on each side

**For 3/8"(10mm) Glass:** Use one thin gasket on one side and a thick gasket on the other side

**Recommendations:**

For public safety, we recommend the use of only tempered safety glass.

Do not use power tools when installing these hinges.

**Maintenance Guidelines:**

- Never use an abrasive cleaner on the hardware. Many of the components are coated with a clear lacquer that will be irreparably damaged if subjected to harsh, abrasive chemicals. Advise your customer that drying the hardware with a clean, soft towel on a daily basis is the best way to maintain the hardware. If mineral deposits build-up, mix a couple of drops of a mild liquid soap (such as Ivory or a similar product) into a cup of warm water. Using a soft, non-abrasive cloth, clean the hardware. Rinse thoroughly with clean, warm water and dry.