



C.R. LAURENCE CO., INC.
PROFESSIONAL QUALITY

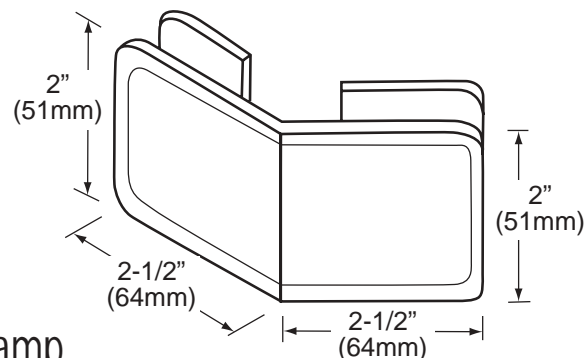
Specifications:

Material: Solid brass
Glass Thickness Range: 3/8"(10mm) to 1/2"(12mm)
Hole Size Required: 3/4" (19mm)
Includes: Mounting screws and gaskets

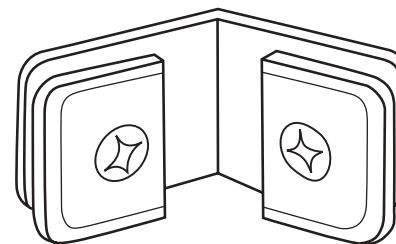
HEAVY DUTY GLASS CLAMPS

Beveled 135° Glass Clamp

CAT. No.BGC135



FRONT VIEW



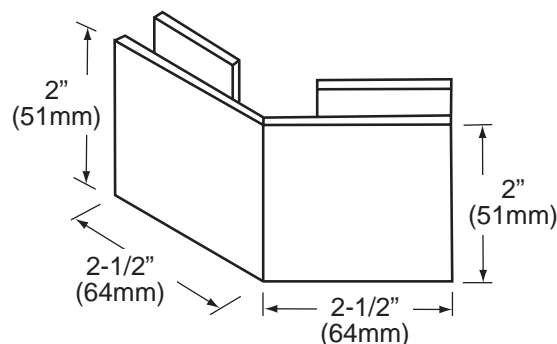
REAR VIEW

Template Shown on Next Page

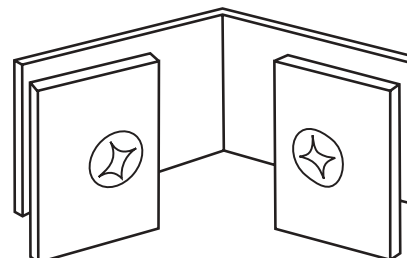
HEAVY DUTY GLASS CLAMPS

Square 135° Glass Clamp

CAT. No.SGC135



FRONT VIEW



REAR VIEW

Template Shown on Next Page

Specifications:

Material: Solid brass
Glass Thickness Range: 3/8"(10mm) to 1/2"(12mm)
Hole Size Required: 3/4" (19mm)
Includes: Mounting screws and gaskets